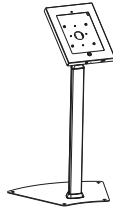


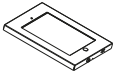








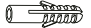






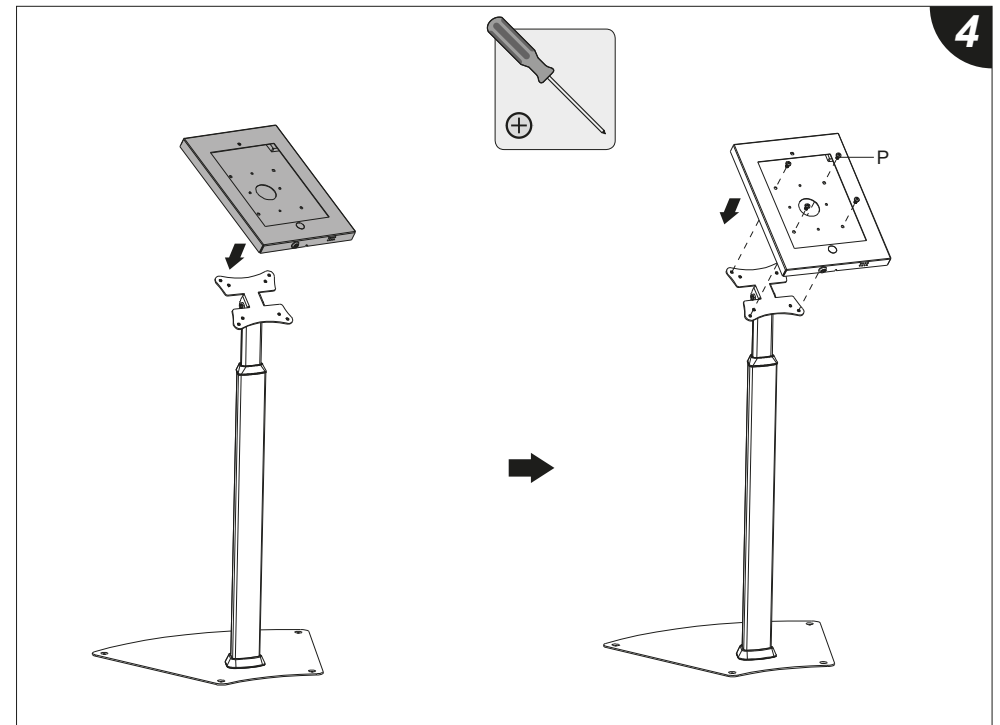
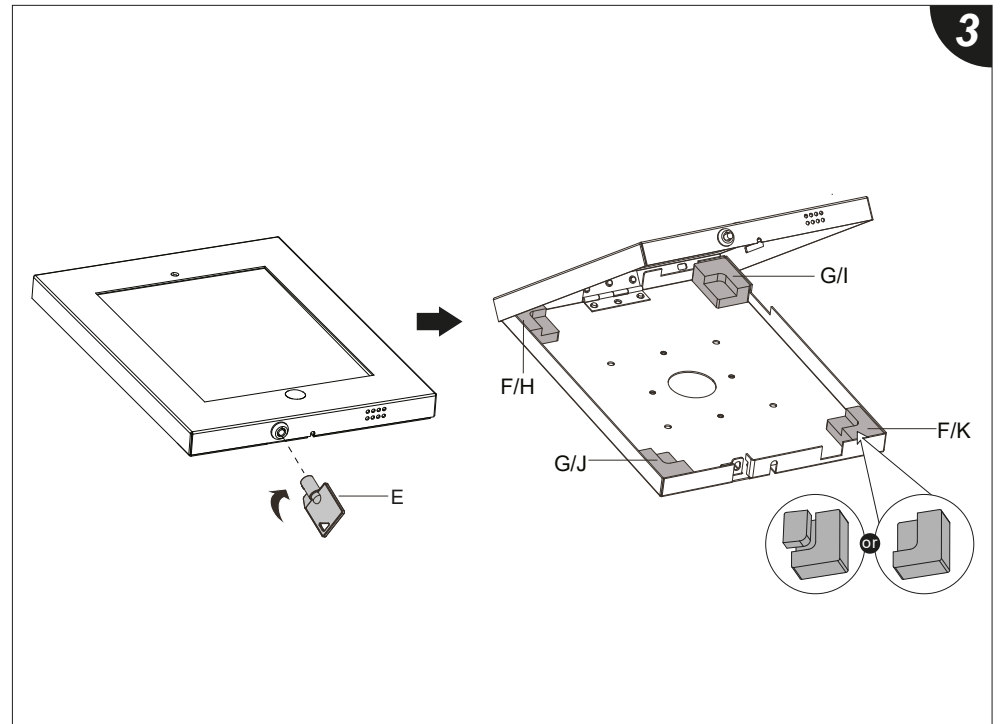
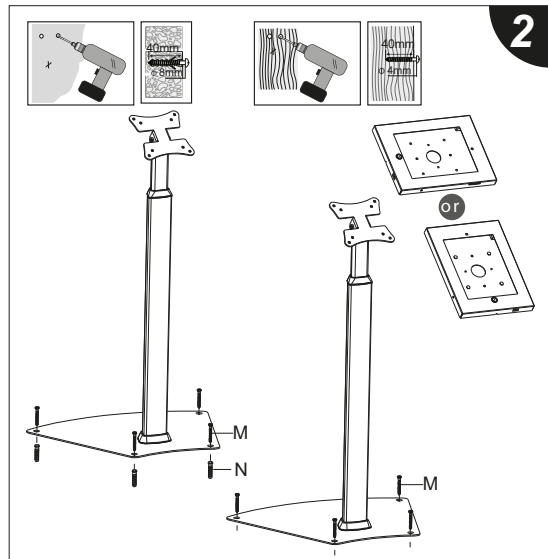
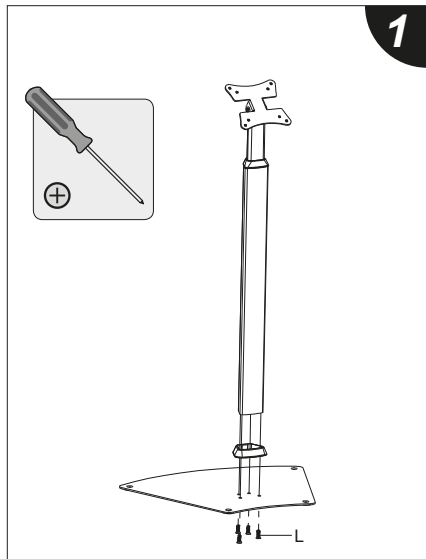


Height-Adjustable iPad Floor Stand

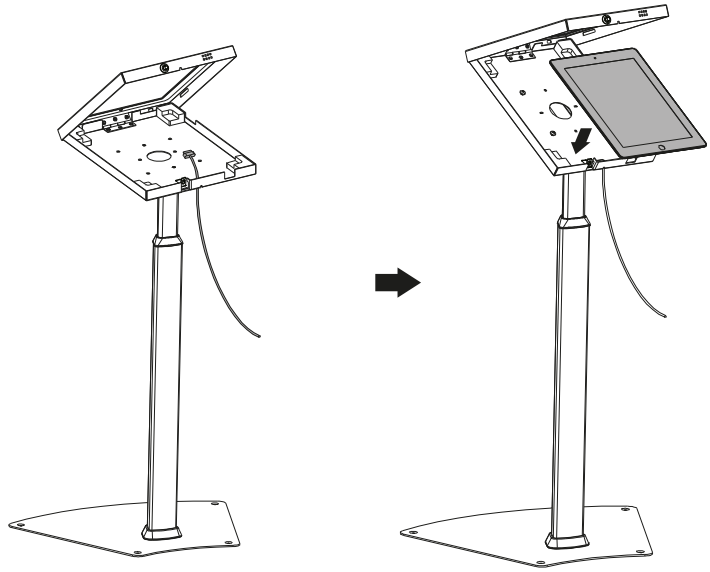


Installation Instruction

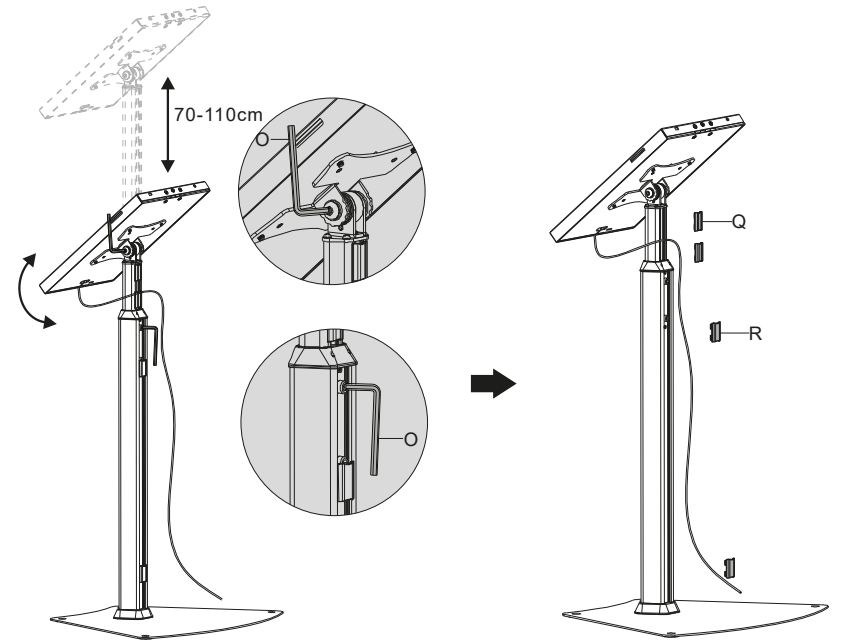
ITEM	DESCRIPTION/PART NO.	QUANTITY	ITEM	DESCRIPTION/PART NO.	QUANTITY
A	 pole	1	I	 silicone pad(D)	1
B	 anti-theft box	1	J	 silicone pad(E)	1
C	 base	1	K	 silicone pad(F)	1
D	 plastic pad	1	L	 M6x16	4
E	 key	2	M	 ST5.5x38	4
F	 silicone pad(A)	2	N	 Concrete anchor	4
G	 silicone pad(B)	2	O	 Allen key	1
H	 silicone pad(C)	1	P	 M5x8	4
			Q	 cable clip	2
			R	 cable clip	2



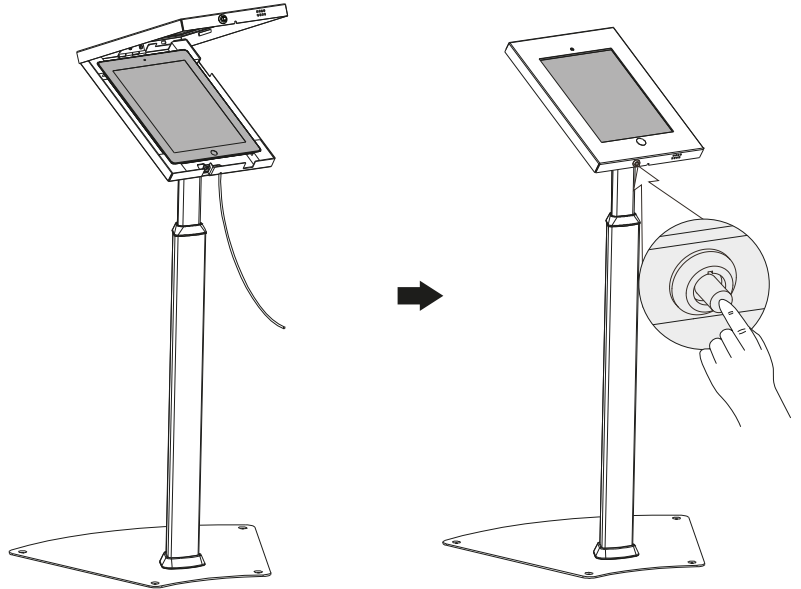
5



7



6



8

