

ELEMENTS

1 BOTTOM VERTICAL PROFILE WITH HINGE



2 BOTTOM VERTICAL PROFILE WITH LOCK



3 BOTTOM VERTICAL PROFILE



4 DOORS - BOTTOM VERTICAL PROFILE WITH HINGE



5 DOORS - BOTTOM VERTICAL PROFILE WITH HANDLE



6 TOP VERTICAL PROFILE WITH HINGE



7 DOORS - TOP VERTICAL PROFILE WITH HINGE



8 TOP VERTICAL PROFILE



9 TOP VERTICAL PROFILE WITH HANDLE



10 FLAT HORIZONTAL PROFILE



11 HORIZONTAL PROFILE



12 DOORS - HORIZONTAL PROFILE



13 SUPPORT BAR - BACKSIDE



14 SUPPORT BAR - SIDE



15 SUPPORT BAR - DOORS

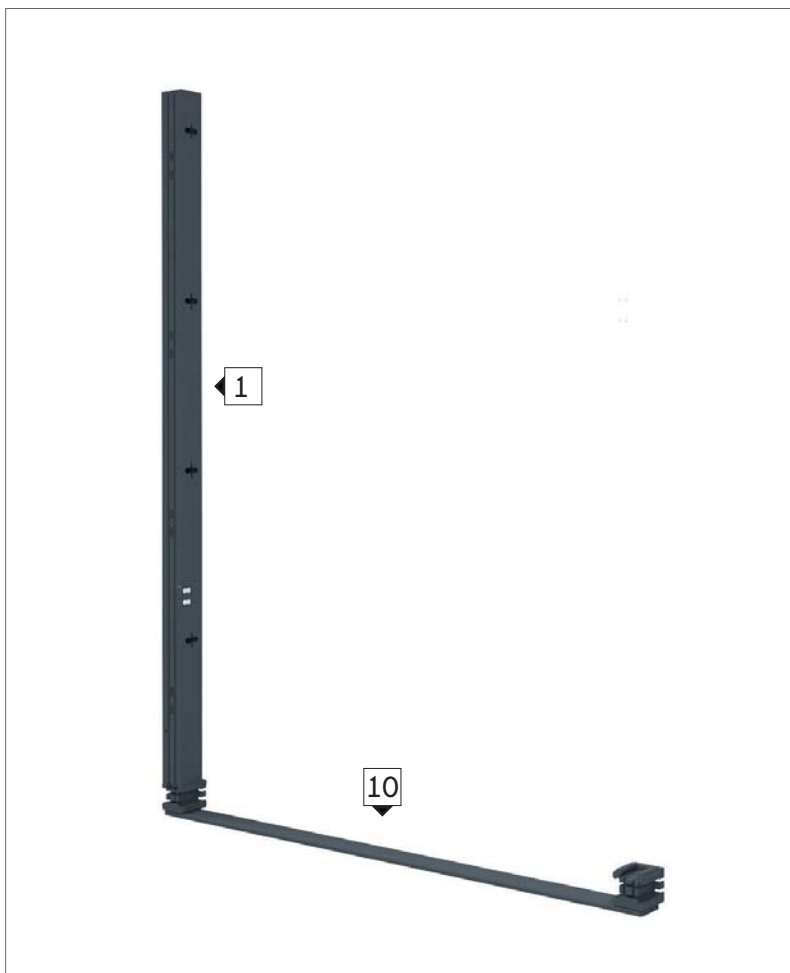
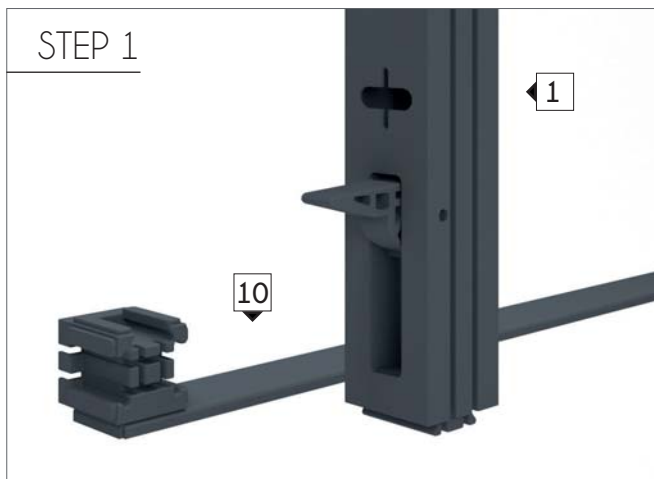


16 METAL WIRE FOR LEVELING DOORS

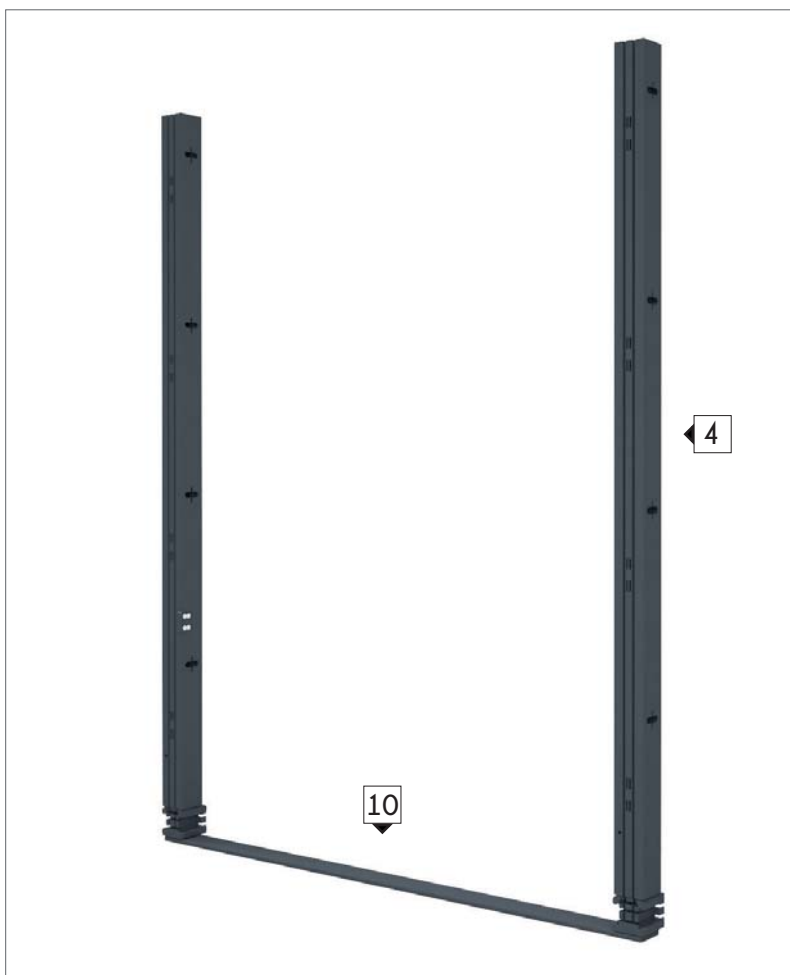


MANUAL quick-up expo frame

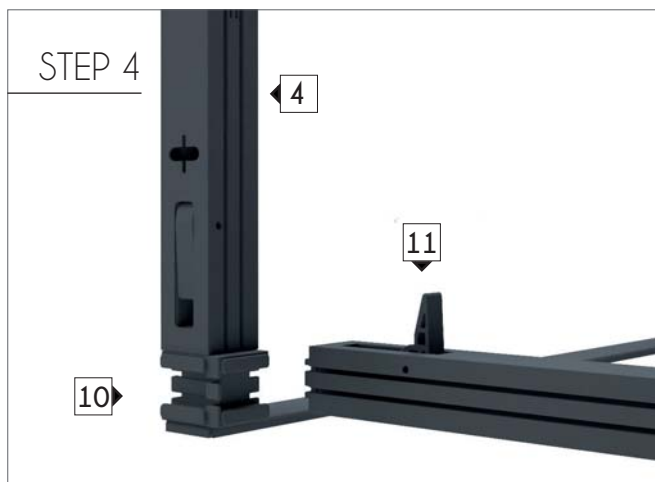
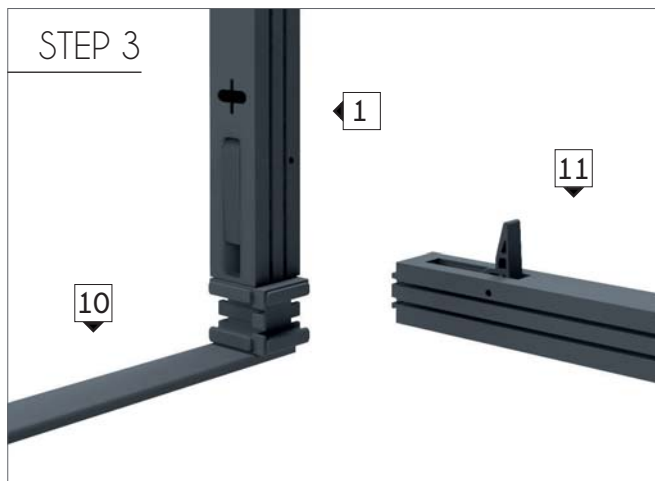
STEP 1



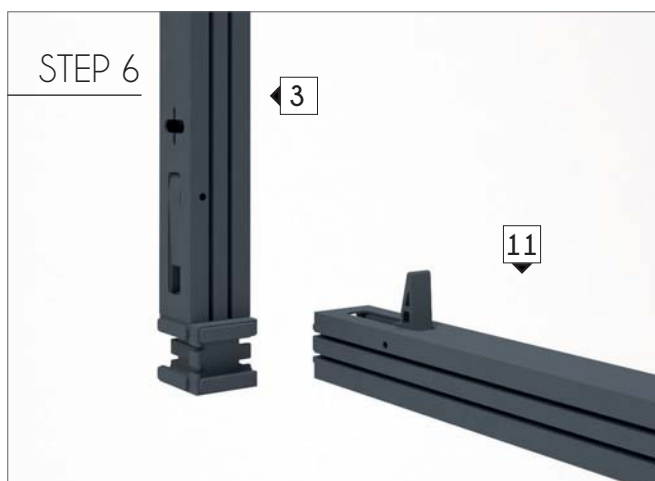
STEP 2



MANUAL quick-up expo frame



MANUAL quick-up expo frame

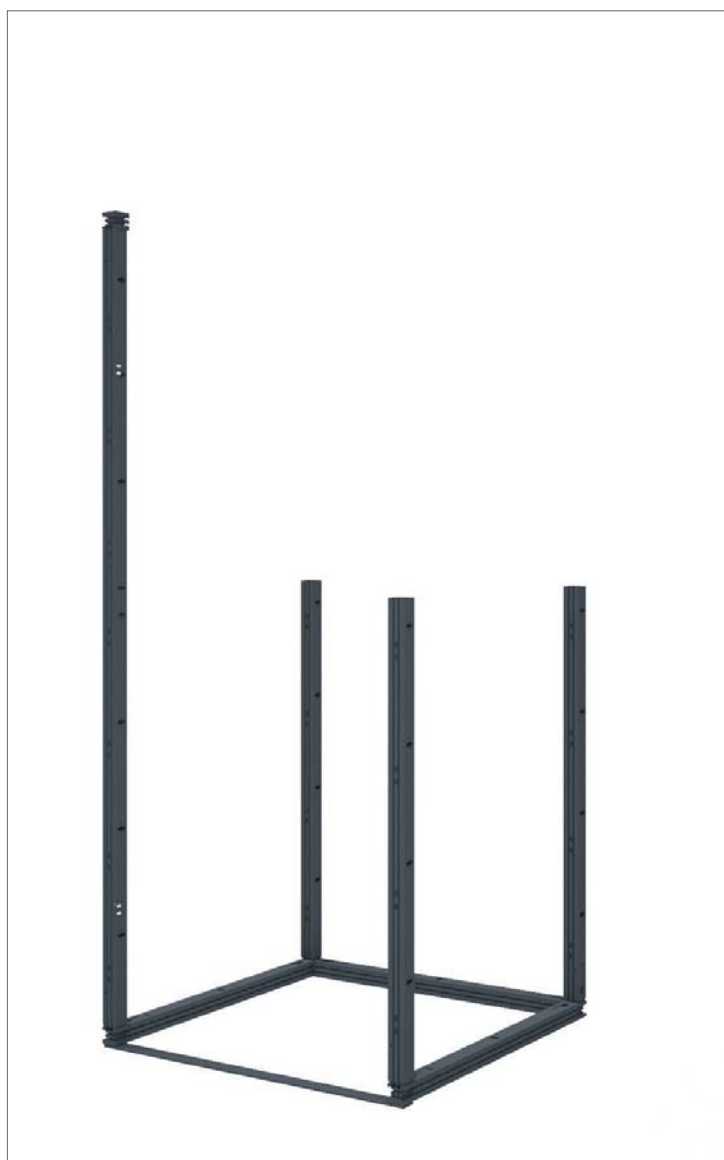
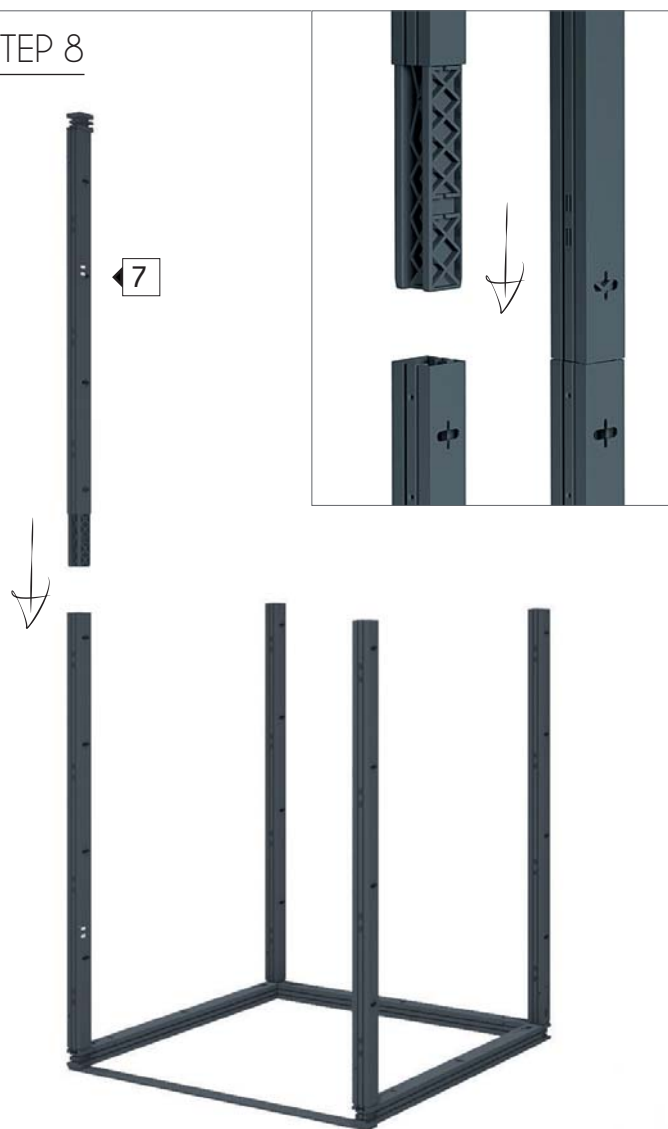


MANUAL quick-up expo frame

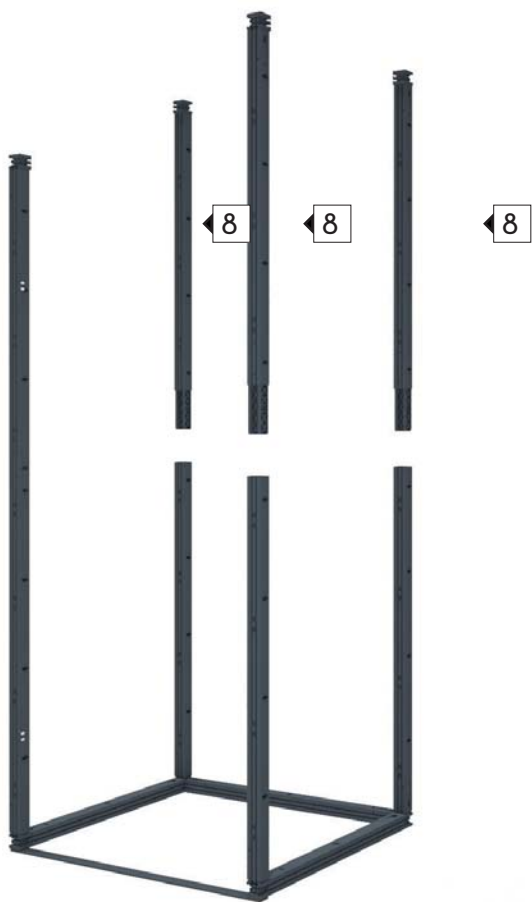
STEP 7



STEP 8



STEP 8



STEP 9, MOUNT TOP HORIZONTAL PROFILES

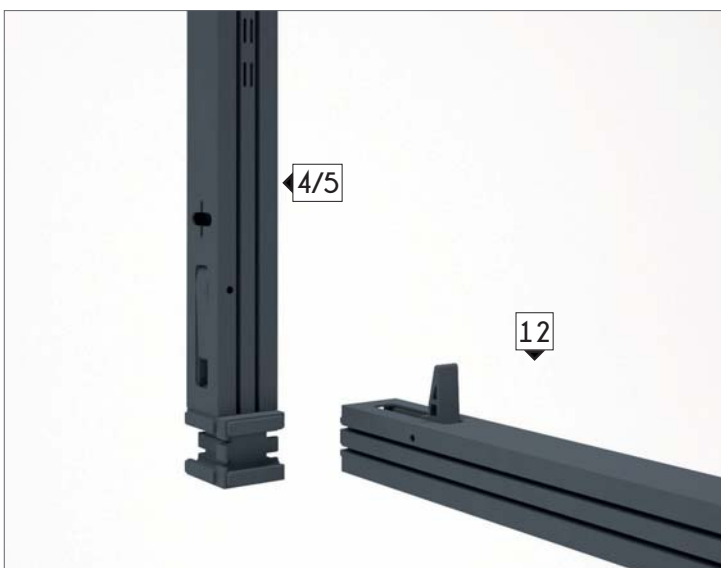


MANUAL quick-up expo frame

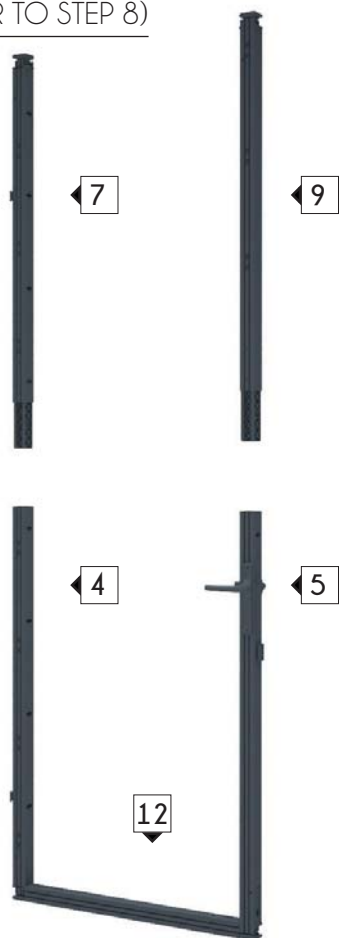
STEP 10



STEP 11 STORAGE DOORS ASSEMBLY



STEP 12 (REFER TO STEP 8)

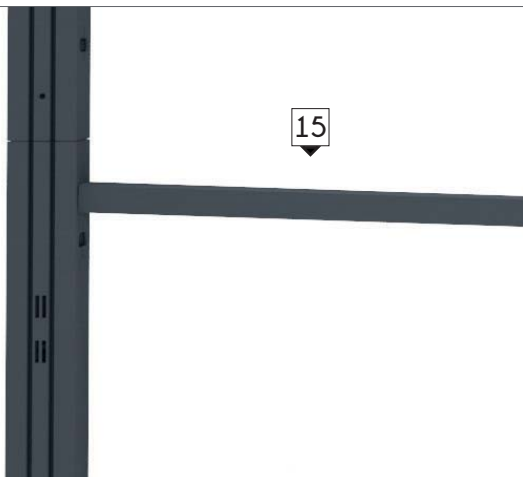


STEP 13



STEP 14

15



15

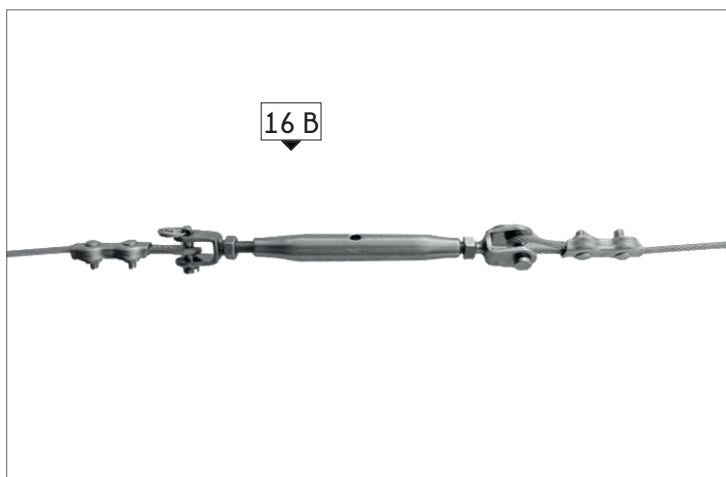


STEP 15

16 A



16 B



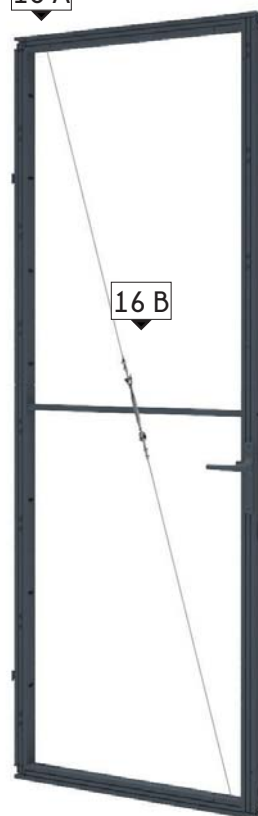
14



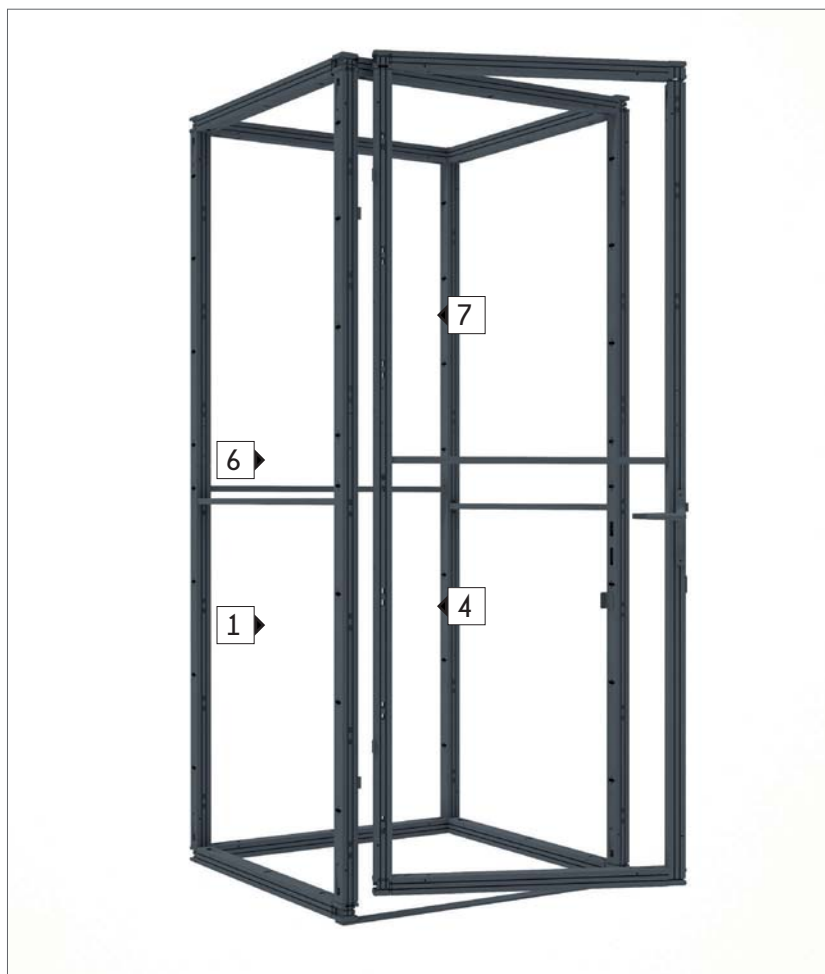
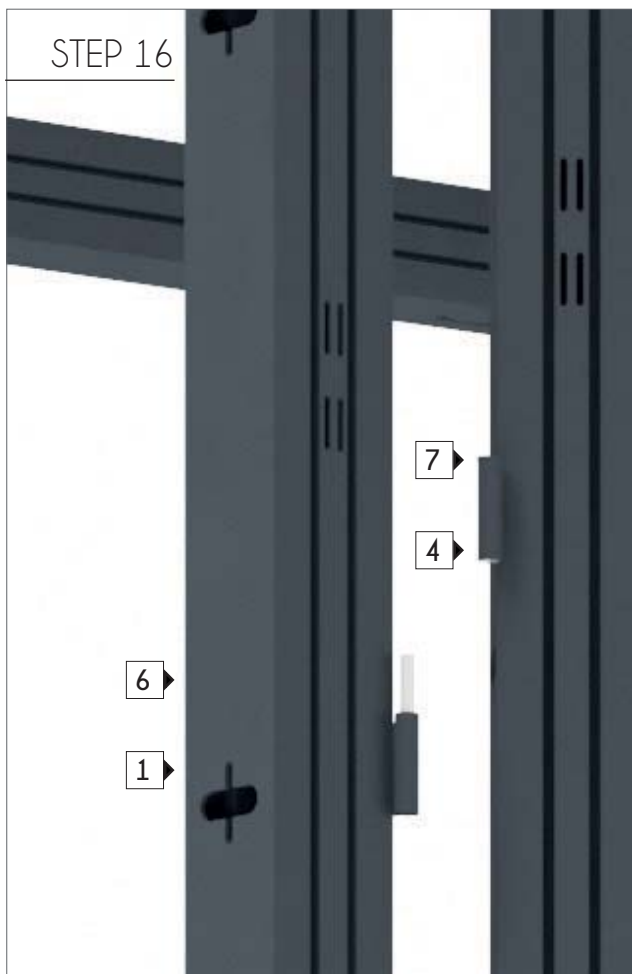
16 A

16 B

16 A



STEP 16



MANUAL quick-up expo frame

FIXING ARTWORK STARTS FROM CORNERS. TOP AND BOTTOM.

