

AdTent



OPERATION MANUAL:

AdTent Classic AdTent Premium

Date of publication:
31.03.2019

Dear customer!

We hope that the purchased tent will serve as an effective tool to promote your brand.

Products at Marrow - Marketing Equipment - are created with a view to the comfort and safety of their users. AdTent - tents are famous for their high quality because they undergo detailed inspection and meet requirements for safety and durability.

In order to ensure that this product is simple and pleasant to use, we recommend that you read all information and instructions in this user manual regarding its operation and the operation of the individual components.

Thank you for choosing AdTent!

OPERATION MANUAL

AdTent Classic

AdTent Premium

Table of contents

1. INTRODUCTION
2. SAFETY INFORMATION
3. DELIVERY CONTENT
4. TENT CONSTRUCTION
5. SETTING UP THE TENT
6. TAKING OFF AND PUTTING ON THE SHEATH
7. CARE
8. STORAGE
9. MAINTENANCE
10. SERVICE
11. ADDITIONAL ACCESSORIES
12. PRODUCT DISPOSAL
13. WARRANTY

1. INTRODUCTION

Marrow - Marketing Equipment - offers a durable, high quality product in the form of tents: **Adent Classic and Adtent Premium**. The characteristic feature of the tent is its strength, lightness and design. Thanks to the used technology, the tent allows

Additional accessories and walls in various configurations. Wide range of possibilities allows to use the tent as an ideal trade fair stand, catering stand or commercial stand - promoting your brand.

The instruction manual applies to tents: **AdTent Classic and AdTent Premium**. The manual takes into account the following points:

- Safety - Installation - Operation - Maintenance

The manufacturer is not liable for damage resulting from non-observance of these instructions; such damage is also not subject to warranty. Therefore, Marrow Ltd informs that before using the tent, it is essential to read and use this manual. The quick pitch tent was designed to act as a sun shade and is therefore only suitable for this type of use:

- in accordance with its intended purpose
- under proper technical conditions

Irregularities that may affect the safety and functioning of the tent must be corrected immediately, otherwise its further use is forbidden. All basic operating steps described in this manual can be carried out by the user. Any other complex repair operations should not be carried out by persons who are not competent to safely operate the tools used for the repair.

2. SAFETY INFORMATION

a) The tent should only be set up on a stable and flat surface with anchorage for the leg and lashings. In areas where anchoring is impossible or difficult, the leg must be loaded with ballast, which is not supplied with the tent as standard.

b) It shall always be ensured that the anchorage is solid and that the ballast in the form of sandbags or weights is securely attached to the tent frame.

c) If water accumulates on the roof of the tent, it must be removed immediately.

(d) The tent is not adapted to be used under snow load. In case of its use in conditions of snowfall, the light fluffy snow should be immediately and continuously removed from the tent's structure, and if it gets stuck on the roof of the tent's sheathing, the tent should be absolutely folded.

e) The tent does not protect against extreme weather conditions. Always close the tent if there is moderate wind, poor rainfall or snowfall.

Description of the wind force:

"Moderate wind" 7.9 m/s.:

- Effects on land: dust and paper rise, branches start to move.

- Effects on water: small waves on whose ridges foam forms, water splash is heard.

Description of poor rainfall:

Its intensity is between 0.15 and 1.3 mm/h respectively and it is either a drizzle or a little rain.

Description of snowfall:

Light fluffy snow occurs during or shortly after snowfall at temperatures below 0°C (usually around -10°C) and windless weather.

Ice crystals become brittle and break under the weight of man, causing characteristic creaking.

Before opening the tent, make sure that there are no people around and before closing the tent, make sure that there are no people under the tent. Do not hang any objects, e.g. clothes on the shoulder of the frame of the tent. The quick pitch tent is not a toy. Make sure that the children do not use the fast pitch tent as a play field or climbing facility.

Open fires, such as barbecues, are not permitted in or near the tent.

3. DELIVERY CONTENT

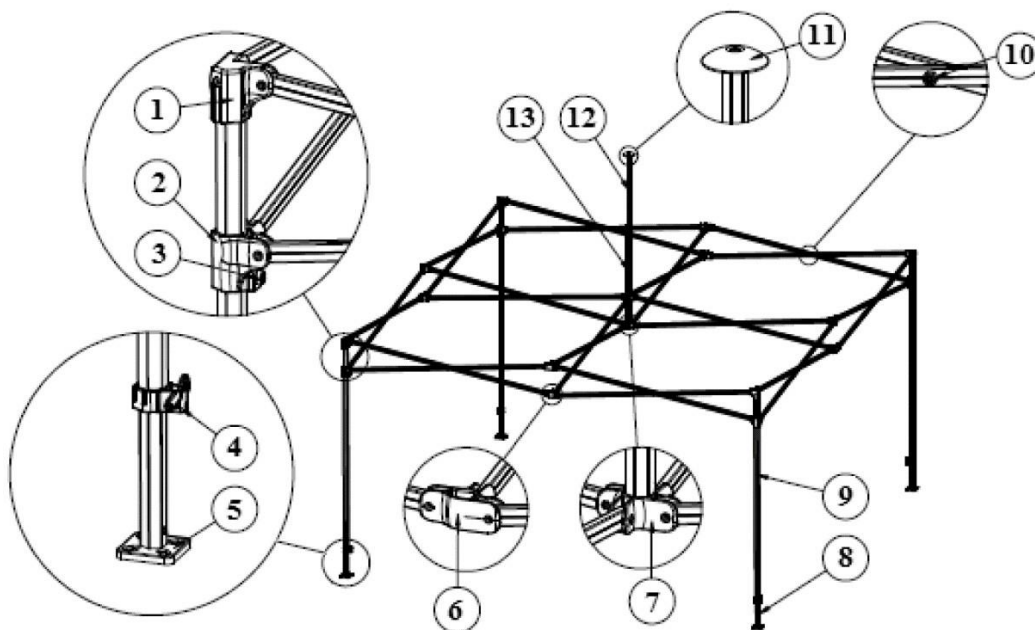
The standard packaging contains the following items:

1. The quick pitch tent
2. Mounting kit (pins, lashings)
3. Operation manual

4. TENT CONSTRUCTION

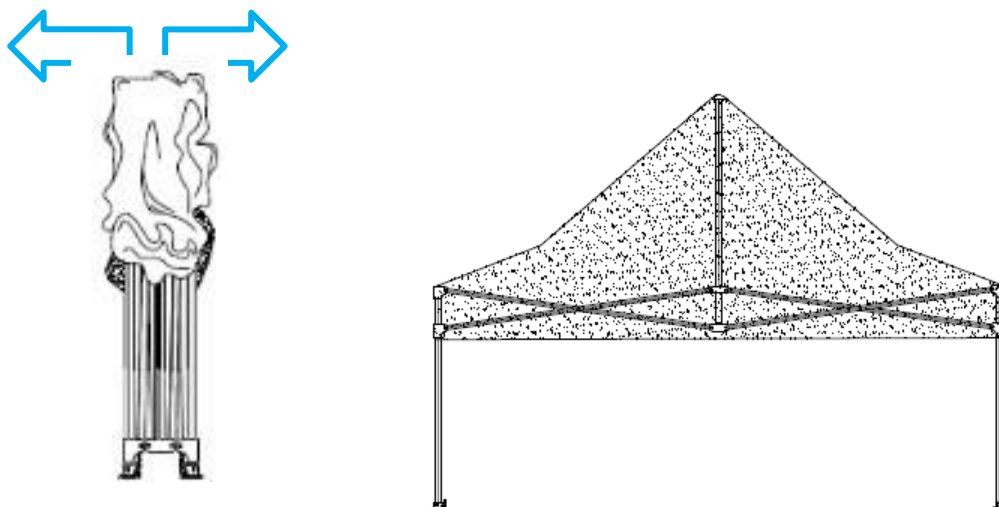
Name of the component:

1. Upper external connector
2. Lower external connector
3. Button to unlock the connector
4. Tent height adjustment connector
5. Foot
6. Scissor connector
7. Internal connector
8. Leg internal hexagonal profile
9. Leg external hexagonal profile
10. Pair of scissors complete rectangular profile
11. Roof
12. Mast internal hexagonal profile
13. Mast external hexagonal profile

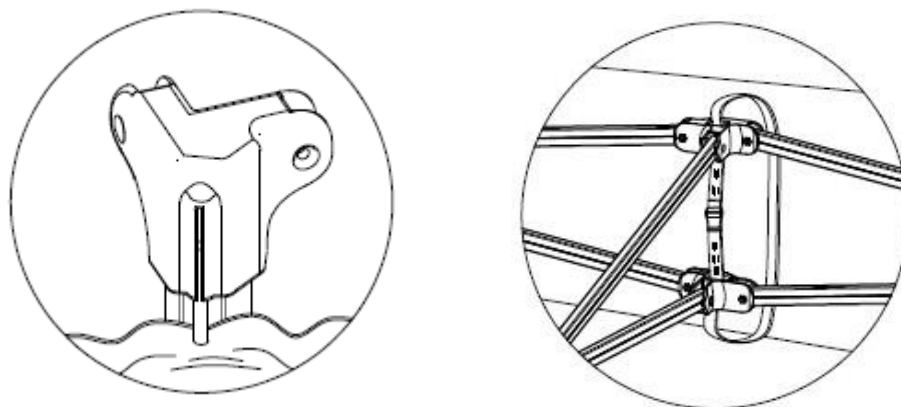


5. SETTING UP THE TENT

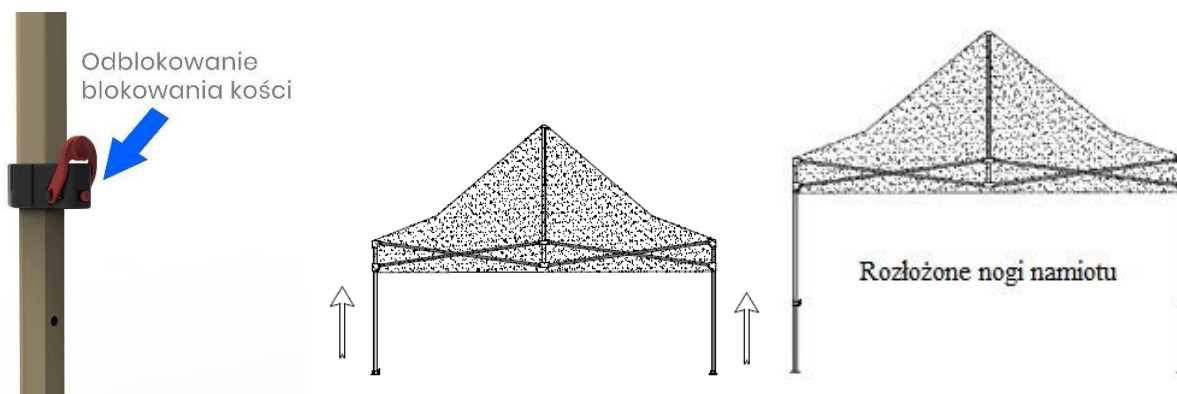
1. Before opening the tent, make sure that no persons or objects are near it.
2. The vicinity of the frame around the block should be cleaned with a wet cloth, dust and dirt accumulated in this area can cause difficulty in moving and damage the surface.
3. The tent should be set up with the help of another person.
4. Remove the cover.
5. Unfold the tent frame by gripping the scissors at the point where they connect with the scissors' connector and then gently lifting the structure upwards pulling it towards until the tent is unfolded and the "bottom external connector" is blocked.



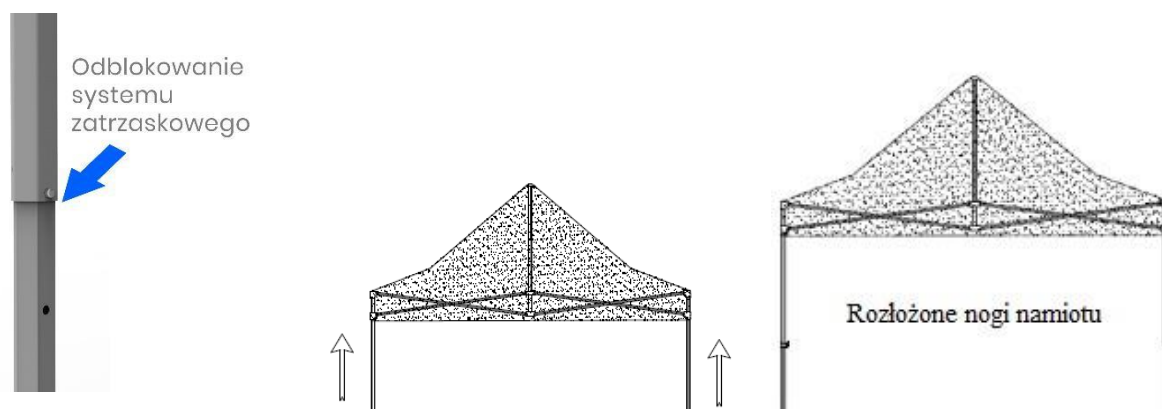
6. Fasten the Velcro fasteners of the roof sheathing to the tent frame by putting the tape through the hole in the scissor connector and check the fastening of the roof sheathing in the upper external connectors (see drawings below).



7. In the AdTent Premium line, pull out legs by unlocking the "block". When the desired length is reached, release the block button to lock the leg (see drawings below).



8. The AdTent Classic line is equipped with a snap-in system.



9. Mount the walls with Velcro fasteners to the tent roof sheathing and then to the legs of the tent frame, wrapping the Velcro around the legs of the tent. Then connect the tent wall with the adjacent walls on the corners of the tent (solid walls, with windows or doors fasten according to your own configuration).

10. Anchoring method:

Standard **EN 13782:2007** applies to the 3 x 3 m Adent Premium tent.

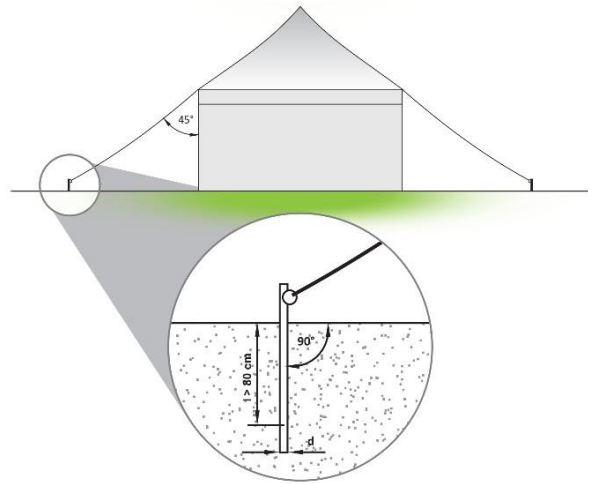
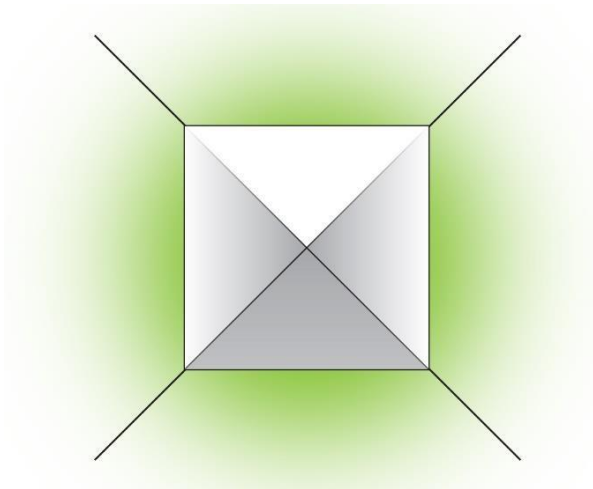
In order to ensure tent resistance to wind gusts with a speed of 28m/s (100km/h) according to the standard **EN 13782:2007** all 4 side walls of the sheathing must be fitted or none of the side walls must be fitted. The tent fixings described below should also be used.

A) To use the tent in a hard terrain (concrete) under conditions described in the standard, each leg should be loaded with a minimum weight of 25kg or screwed to the ground with HILTI, HSA M6 L=50mm anchors. The anchoring of lashings must be carried out using the HILTI, HLC EC M8 L=40mm anchor

B) In order to use a tent in grassland (compact soil) under the conditions described in the standard, each leg must be loaded with a minimum weight of 25kg or screwed to the ground using 8mm diameter anchors anchored in the ground to a depth of 32cm. The anchoring of lashings should be made at an angle of 45 degrees to the tent, using a steel anchor with the diameter of 24mm and 90cm long, anchored in the ground to a depth of 80cm at a right angle. Details of the anchoring are shown in the drawings below.

ATTENTION: HILTI anchors are not standard equipment for the tent.

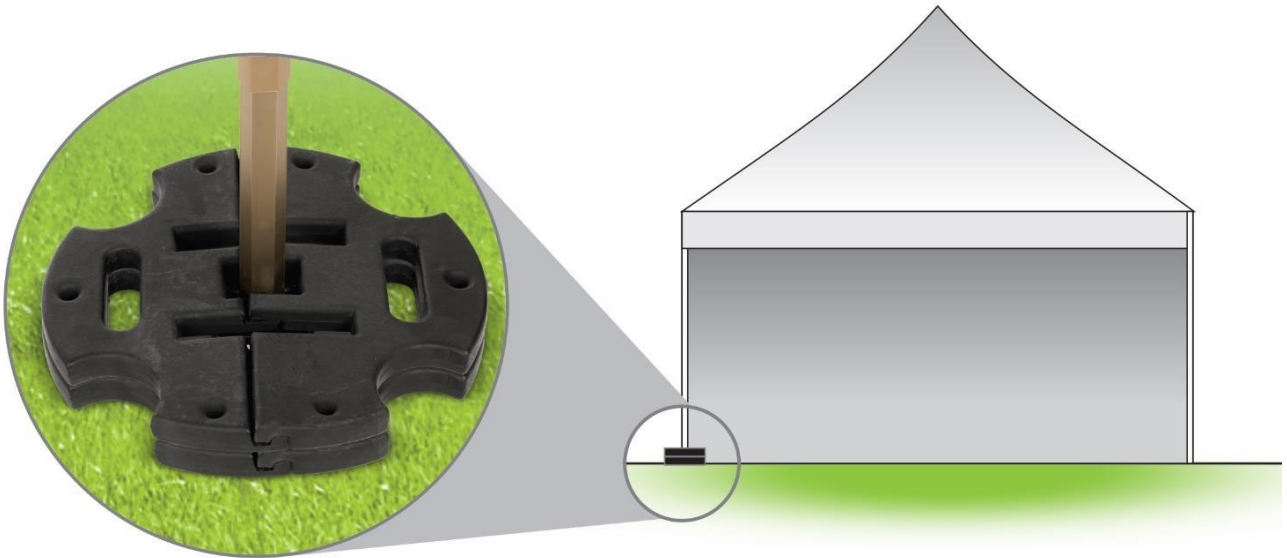
Foundation	Anchoring of the tent's leg base	Anchoring of the lashing
Concrete	HILTI anchor, HSA M6 L=50mm or a ballast of 25 kg. (e.g. concrete block)	HILTI, HLC EC M8 Anchor L=40mm
Ground	Steel anchor Ø 8 mm anchored to a depth of 32 cm or ballast 25 kg (e.g. concrete block)	Steel anchor Ø 24 mm anchored in the ground 80 cm



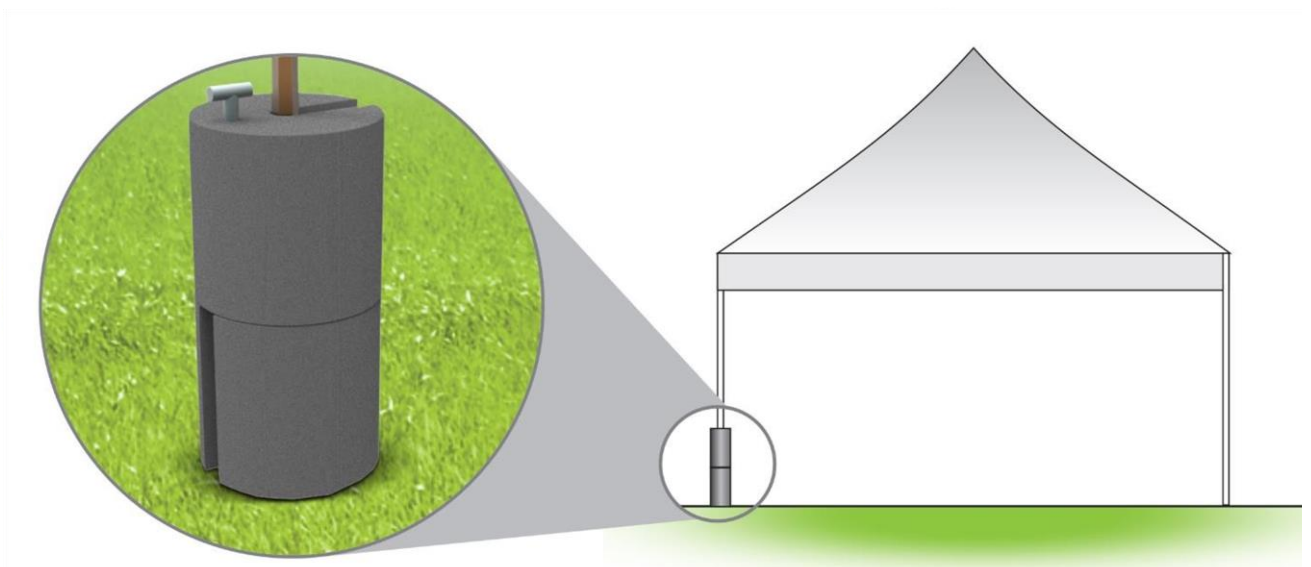
Vertical projection of the tent.

End view of the tent.

When fixing the tent using a load, each of the four legs of the tent should be loaded according to one of the following drawings - minimum load weight per leg: 25 kg.



The load on the single leg of the tent with cast iron bases.



The load on the single leg of the tent with concrete bases.

6. TAKING OFF AND PUTTING ON THE SHEATH

Stages of tent sheathing removal

1. Disconnect the walls at the corners of the tent.
2. Disconnect the walls from the roof sheathing.
3. Unclip the roof sheathing tension clamps from the frame.

In the above way we remove each of the mounted walls.

4. Fold up the tent halfway.
5. Uncouple the keder from the upper external connectors.
6. Uncouple the sheathing from the frame roof.
7. Remove the sheathing from the tent roof.

Mounting of the roof sheathing is carried out in reverse order.

7. CARE

Do not use sharp tools to clean the tent such as knives or metal scrapers or caustic cleaners.

Do not use garden water hoses or high-pressure cleaners for cleaning.

The roofing material can be cleaned of dust and dirt using a soft brush or a damp cloth.

Clean all metal and plastic parts of the tent with a damp cloth and remove heavy dirt with a mild cleaning agent.

8. STORAGE

All parts of the tent must be stored in a dry, frost-free room.

In order to avoid stains or dirt, before folding the tent it is necessary to:

- clean the base, frame, canopy sheath and cover,
- allow the roof sheathing and the protective cover to dry completely,
- pull down the protective cover and store the tent in this manner.

9. MAINTENANCE

The customer should carry out a thorough inspection of the tent using the following list, after the first assembly or before storing the tent.

- Do not clean the fabric chemically
- Hand-wash laundry - lightly squash
- Surface washing - Lightly rub heavily soiled areas with a wet sponge Washing temperature - max. 40°C
- Type of detergent - Detergents intended for colored articles
- Drainage - do not unscrew
- Drying - vertical position in a hanging state at room temperature
- Do not use organic solvents, do not chlorinate
- Keep away from open fire. In case of fire, extinguish with water, powder or snow extinguisher.

10. SERVICE

If you have any questions concerning the installation or ordering spare parts, please contact our Sales Advisor. www.marrow.fi

11. ACCESSORIES

	List of accessories	AdTent Classic	AdTent Premium
Included accessories	12/16 pins	•	•
	Lashings	•	•
	Standard cover		•
Optional accessories	LED lights	•	•
	Universal crossbar for half-wall fixing 2 m / 2.5 m	•	
	Universal crossbar for half-wall fixing 3 m / 4 m / 4.5 m	•	•
	Aluminium counter for wall 2 m / 2,5 m	•	
	Aluminium counter for wall 3 m / 4 m / 4.5 m	•	•
	Radiator 500 w	•	•
	Universal connector (Grip System)	•	•
	Tent frame connector	•	•
	Cable clamp	•	•
	Flag adapter (maximum permissible mast diameter 20 mm)	•	•
	Concrete base - roller, single, 16 kg	•	•
	Cast iron base with rubber stoppers, without bag, 20 kg	•	•
	Cast iron base with rubber stoppers, with bag, 20 kg	•	•
	Sand bag 20 kg	•	•
	Sand bag 30 kg	•	•
	Gutter 2 m / 2.5 m	•	
	Gutter 3 m / 4 m / 4.5 m / 6 m	•	•
	Gutter 8 m		•
	Foot protection tied up	•	•
	Foot protection straight	•	•
	Transport wheels		•
	Premium bag		•
	Standard cover	•	
	Wall stiffening rail		•
Sealing		•	

12. DISPOSAL OF THE PRODUCT

The tent consists of aluminium and plastic elements. These materials can be disposed of in accordance with the applicable environmental regulations.

13. WARRANTY

Compliance with delivery terms / please refer to terms and conditions on the website

www.marrow.fi.